

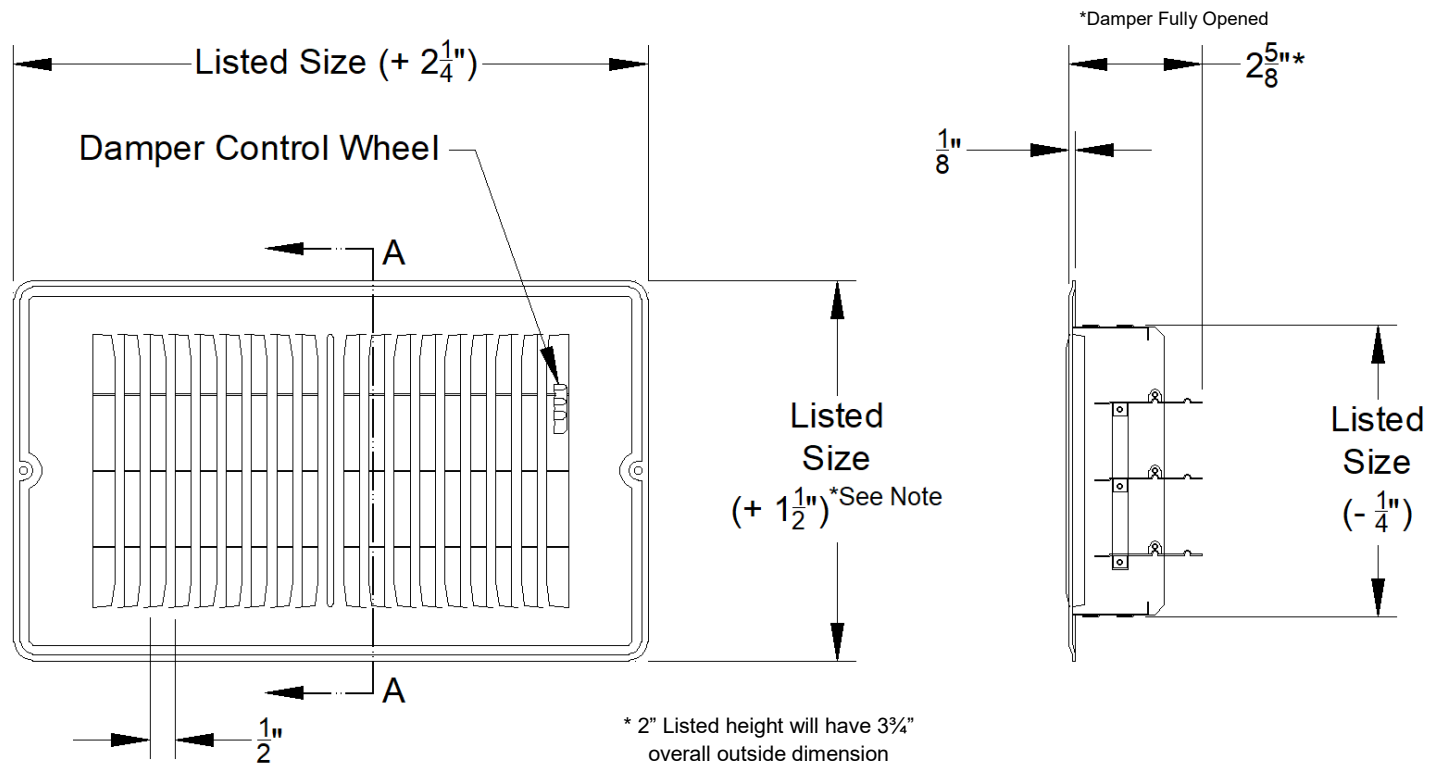
Model: \_\_\_\_\_ Size: \_\_\_\_\_ Tag: \_\_\_\_\_

Project Name: \_\_\_\_\_

Project Location: \_\_\_\_\_

Engineer: \_\_\_\_\_ Contractor: \_\_\_\_\_

Distributor: \_\_\_\_\_ Representative: \_\_\_\_\_



**Section AA**

**Features:**

- Heavy Duty Construction
- One Piece Frame
- SmoothGlide™ Multi-Shutter Damper
- Foot Operated Wheel Control
- #8 x 2" Long Mounting Hardware

**Finish Options:**

- Pristine White Powder Coat Finish
- Textured Non-Scuff Brown Powder Coat Finish

Note: This submittal is meant to demonstrate the general dimensions of this product. The illustrations are not meant to detail every aspect of the product. Drawings are not to scale. T.A. Industries, Inc. reserves the right to make changes without notice or obligations.