

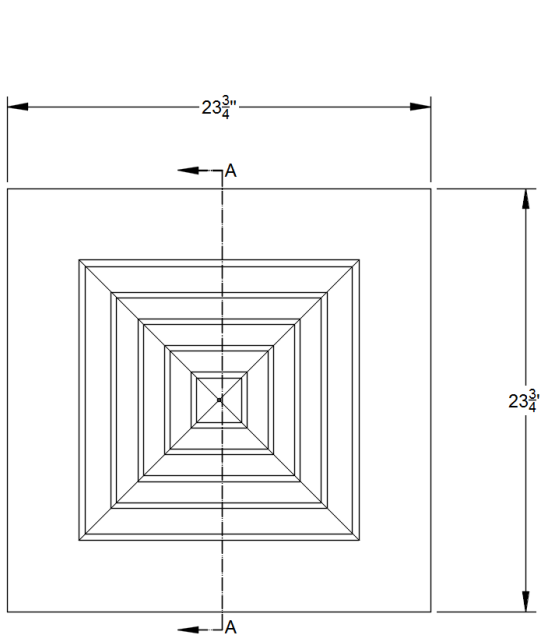
Model: _____ Size: _____ Tag: _____

Project Name: _____

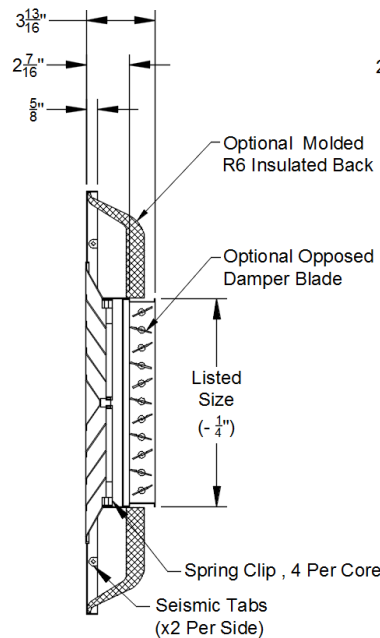
Project Location: _____

Engineer: _____ Contractor: _____

Distributor: _____ Representative: _____

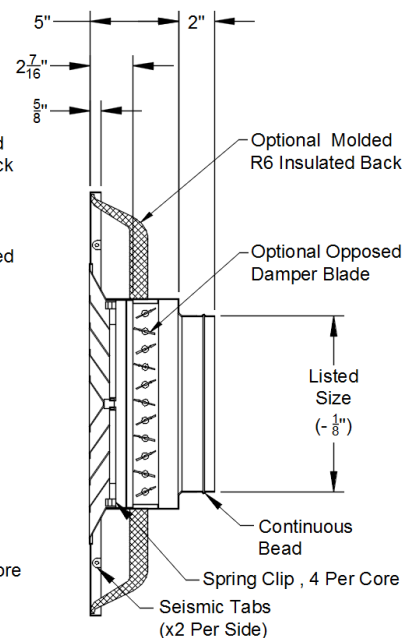


5404 Shown; all dimensions are typical for the 5400 series



Section AA

Square Neck



Section AA

Round Neck

Available Throw Patterns

1-Way



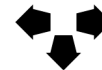
2-Way, Opposite



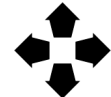
2-Way Corner



3-Way



4-Way



Features:

- Pristine White Powder Coat Finish
- Removable core

Construction Options:

- Aluminum Diffuser with Steel Panel
- Aluminum Diffuser with Aluminum Panel
- R6 Molded Insulated Back
- Opposed Blade Damper

Available Neck Sizes (IN x IN)	Available Round Neck Sizes (IN Ø)
6 x 6	6
9 x 9	6, 8
12 x 12	6, 8, 10, 12
15 x 15	8, 10, 12, 14
18 x 18	8, 10, 12, 14, 16, 18

Note: This submittal is meant to demonstrate the general dimensions of this product. The illustrations are not meant to detail every aspect of the product. Drawings are not to scale. T.A. Industries, Inc. reserves the right to make changes without notice or obligations.