

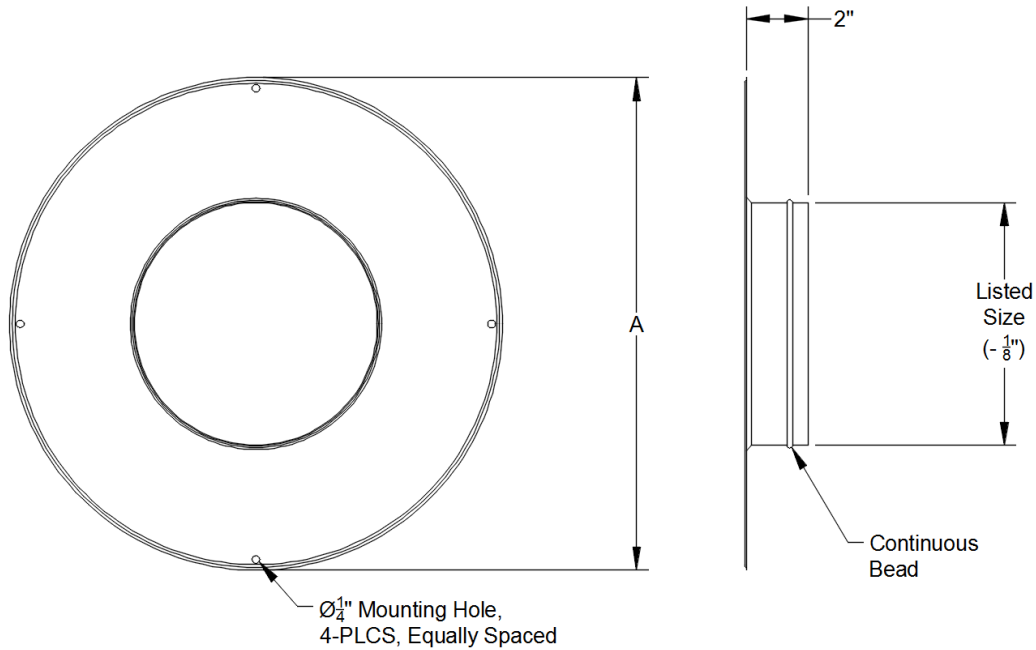
Model: _____ Size: _____ Tag: _____

Project Name: _____

Project Location: _____

Engineer: _____ Contractor: _____

Distributor: _____ Representative: _____



Features:

- Continuous Collar Bead on Neck for Strength and to Prevent Flex Duct Slippage
- Galvanized Finish

Size	Dim "A"
6"	14"
7"	14"
8"	14"
9"	14"
10"	14"
12"	14"
14"	16"
16"	18"
18"	20"

Note: This submittal is meant to demonstrate the general dimensions of this product. The illustrations are not meant to detail every aspect of the product. Drawings are not to scale. T.A. Industries, Inc. reserves the right to make changes without notice or obligations.