

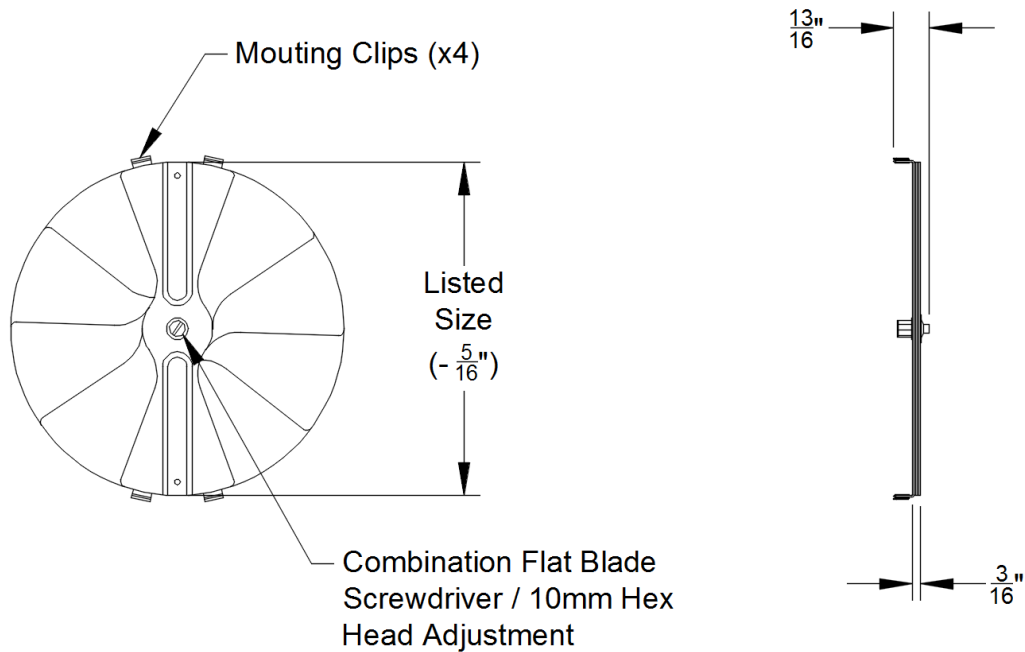
Model: _____ Size: _____ Tag: _____

Project Name: _____

Project Location: _____

Engineer: _____ Contractor: _____

Distributor: _____ Representative: _____



Features:

- Mounts Directly into the Diffuser Inlet.
- Controls Air Volume from Full Open to Full Closed.
- Adjustments are made from the Diffuser Face using either a Flat Blade Screwdriver or a 10mm Hex Socket.
- Plastic Tee Handle Nut Driver Adjustment tool

Note: This submittal is meant to demonstrate the general dimensions of this product. The illustrations are not meant to detail every aspect of the product. Drawings are not to scale. T.A. Industries, Inc. reserves the right to make changes without notice or obligations