

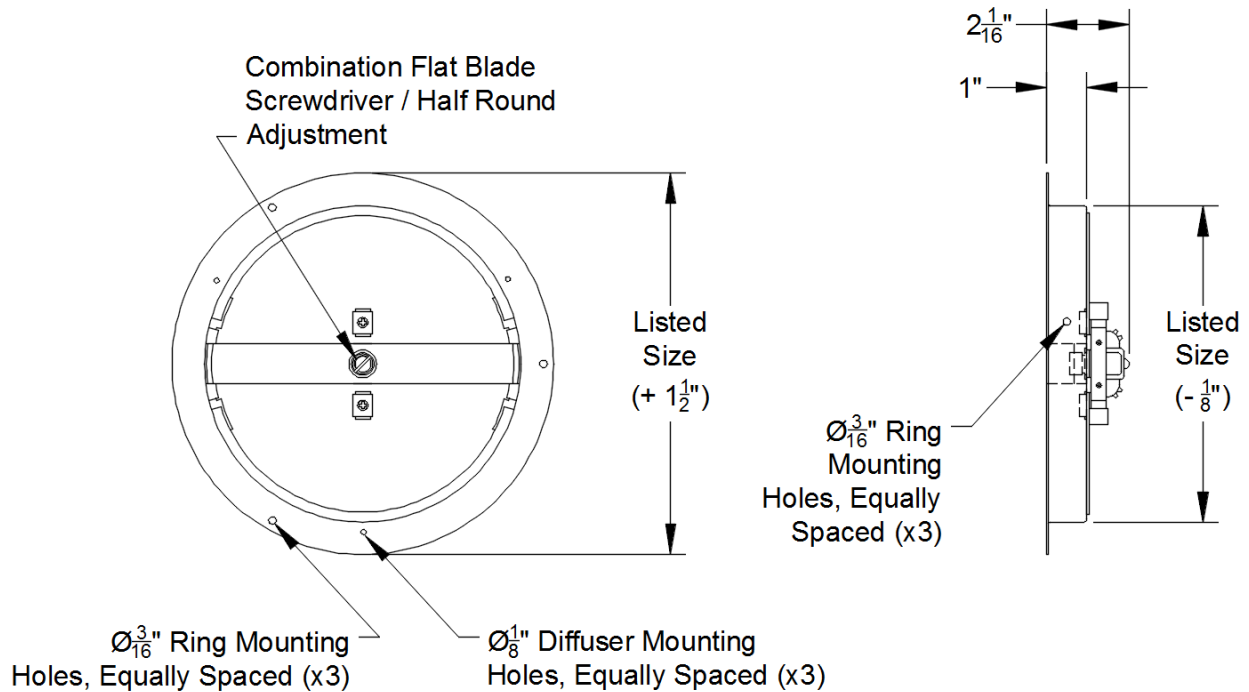
Model: \_\_\_\_\_ Size: \_\_\_\_\_ Tag: \_\_\_\_\_

Project Name: \_\_\_\_\_

Project Location: \_\_\_\_\_

Engineer: \_\_\_\_\_ Contractor: \_\_\_\_\_

Distributor: \_\_\_\_\_ Representative: \_\_\_\_\_



### Features:

- Mounts Directly to the Diffuser Inlet
- Controls Air Volume from Full Open to Full Closed
- Adjustments are Made from the Diffuser Face using Either a Flat Blade Screwdriver or Half Round Tee Handle Adjustment Tool
- Non-Scuff Textured Brown Powder Coat Finish
- #8 x 2" Long Mounting Hardware
- Half Round Tee Handle Adjustment Tool

Note: This submittal is meant to demonstrate the general dimensions of this product. The illustrations are not meant to detail every aspect of the product. Drawings are not to scale. T.A. Industries, Inc. reserves the right to make changes without notice or obligations.