

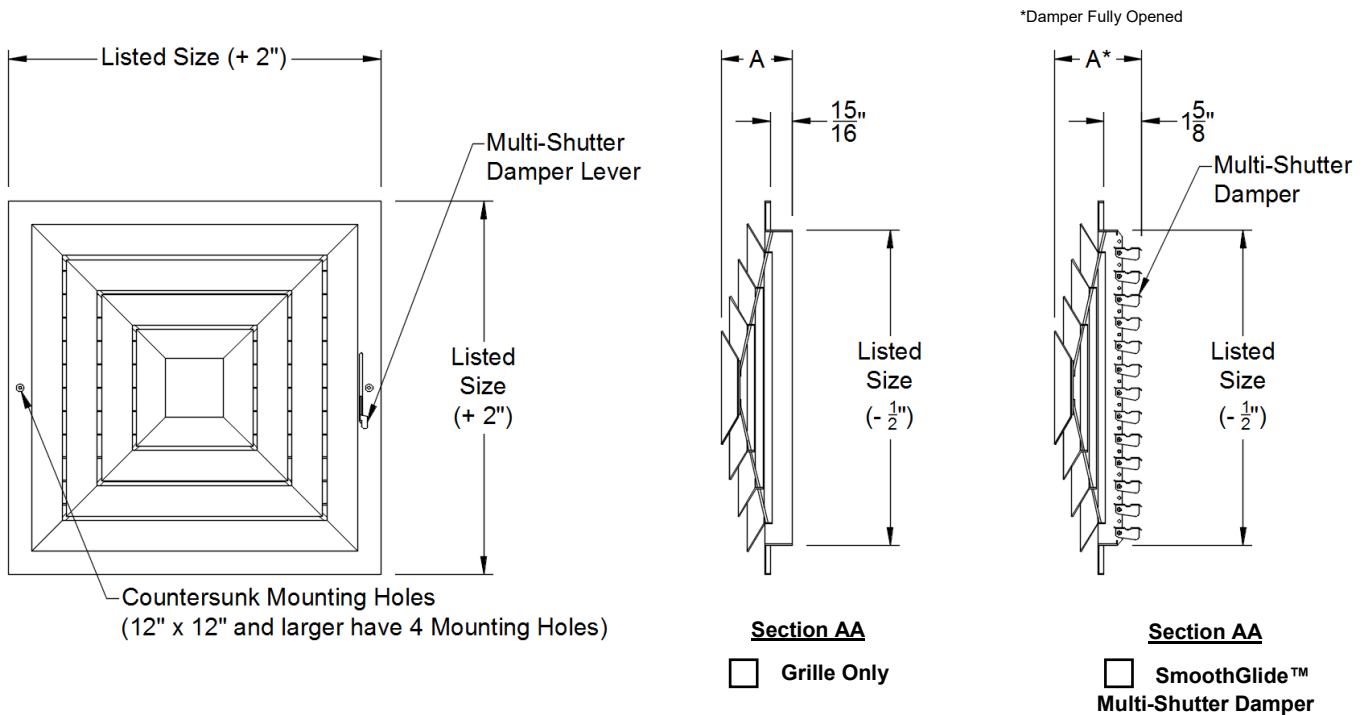
Model: \_\_\_\_\_ Size: \_\_\_\_\_ Tag: \_\_\_\_\_

Project Name: \_\_\_\_\_

Project Location: \_\_\_\_\_

Engineer: \_\_\_\_\_ Contractor: \_\_\_\_\_

Distributor: \_\_\_\_\_ Representative: \_\_\_\_\_



**Features:**

- Pristine White Powder Coat Finish
- #8 x 2" Long Mounting Hardware

Size	Grille Only Dim A	Grille w/Multi-Shutter Damper Dim A	Number of Cones
6" x 6"	1¾"	2½"	1
8" x 8"	2¼"	3"	2
10" x 10"	2¾"	3½"	3
12" x 12"	2¾"	3½"	3
14" x 14"	3¼"	4"	4
16" x 16"	3¾"	4½"	5
18" x 18"	3¾"	4½"	5
20" x 20"	4¼"	5"	6

Note: This submittal is meant to demonstrate the general dimensions of this product. The illustrations are not meant to detail every aspect of the product. Drawings are not to scale. T.A. Industries, Inc. reserves the right to make changes without notice or obligations.