

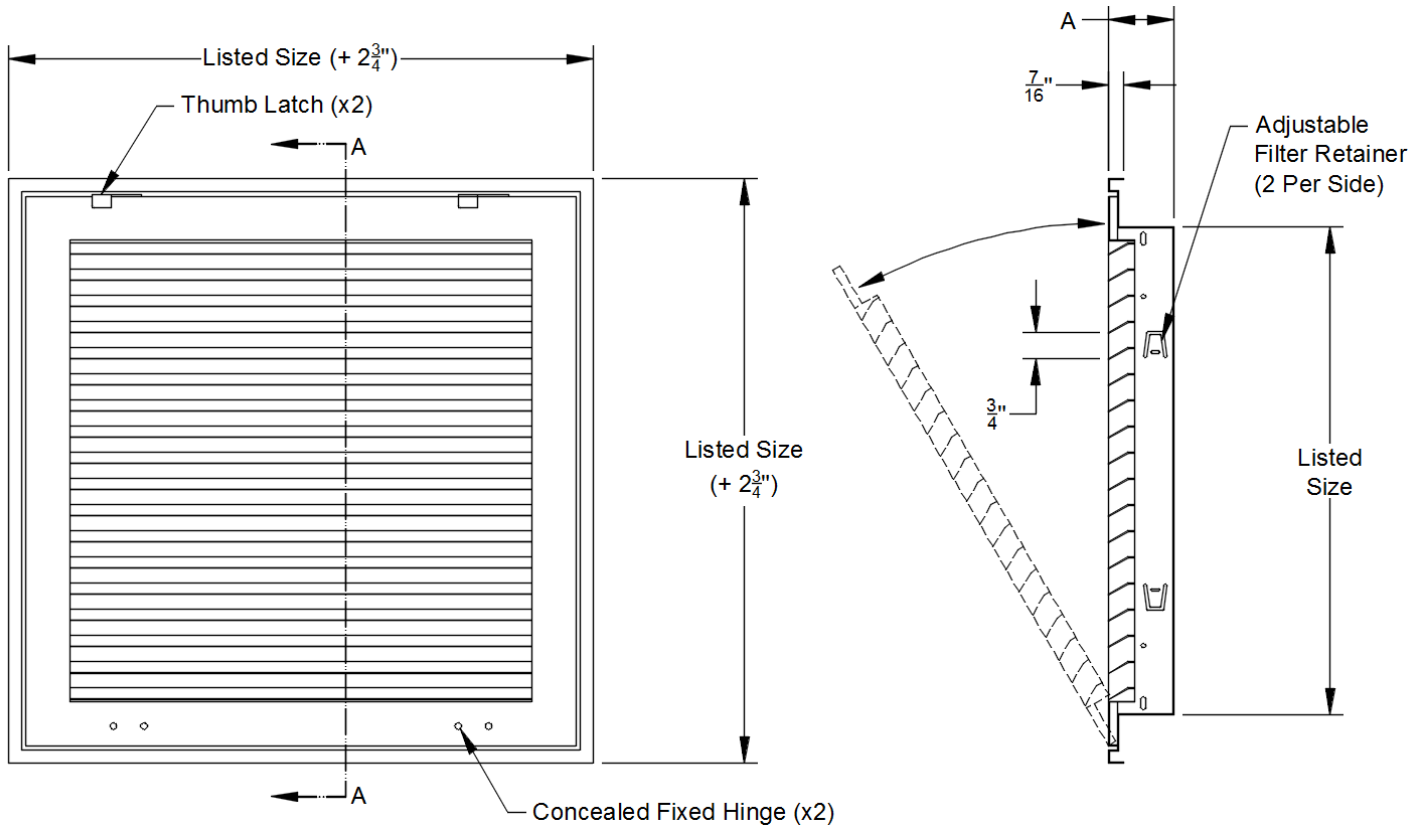
Model: _____ Size: _____ Tag: _____

Project Name: _____

Project Location: _____

Engineer: _____ Contractor: _____

Distributor: _____ Representative: _____



Section AA

Features:

- 15° Blade Pitch
- Pristine White Powder Coat Finish
- #8 x 2" Long Mounting Hardware

Construction Options:

- 1" Deep Filter
- 2" Deep Filter
- 4" Deep Filter

Filter Depth	Dim "A"
1"	1 7/8"
2"	2 1/16"
4"	4 3/4"

Note: This submittal is meant to demonstrate the general dimensions of this product. The illustrations are not meant to detail every aspect of the product. Drawings are not to scale. T.A. Industries, Inc. reserves the right to make changes without notice or obligations.