

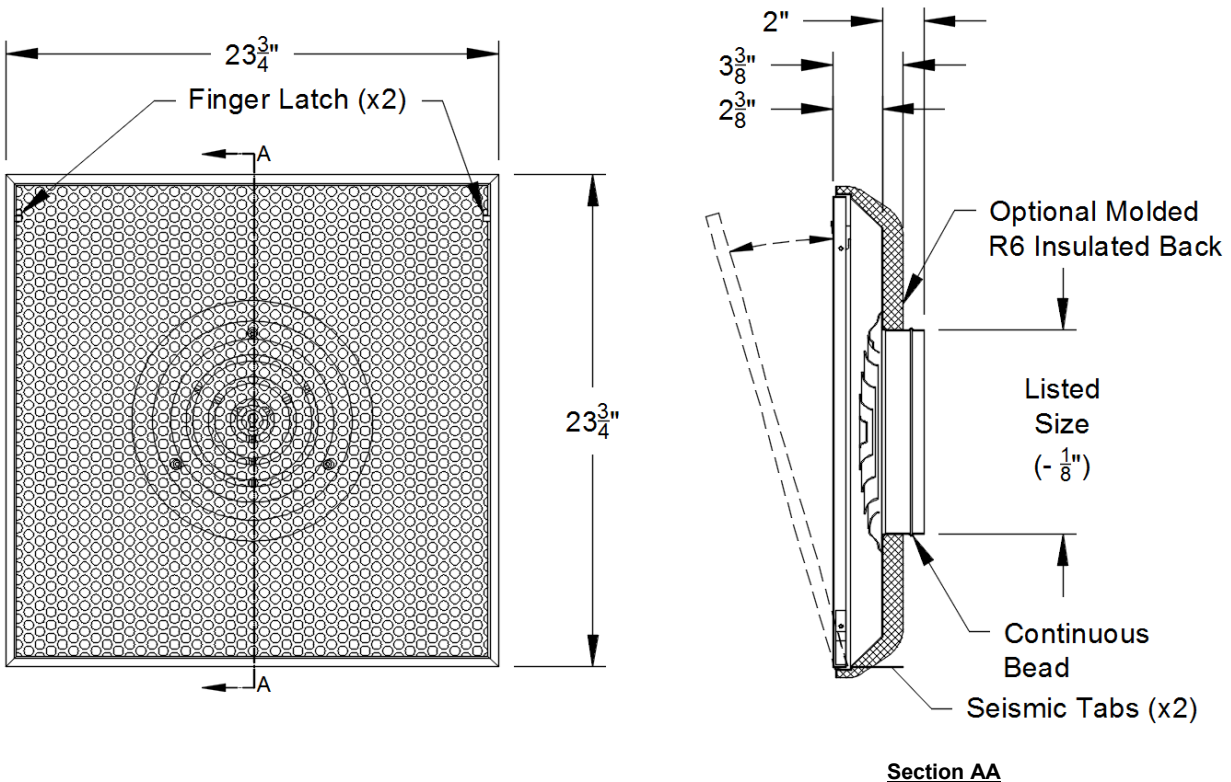
Model: \_\_\_\_\_ Size: \_\_\_\_\_ Tag: \_\_\_\_\_

Project Name: \_\_\_\_\_

Project Location: \_\_\_\_\_

Engineer: \_\_\_\_\_ Contractor: \_\_\_\_\_

Distributor: \_\_\_\_\_ Representative: \_\_\_\_\_



**Features:**

- 51% Free Area Perforated Face
- Hinged Perforated Face
- Pristine White Powder Coat Finish

**Construction Options:**

- R6 Molded Insulated Back

**Available Round Neck  
Diameters (IN):**

6, 8, 10, 12 and 14

Note: This submittal is meant to demonstrate the general dimensions of this product. The illustrations are not meant to detail every aspect of the product. Drawings are not to scale. T.A. Industries, Inc. reserves the right to make changes without notice or obligations.