

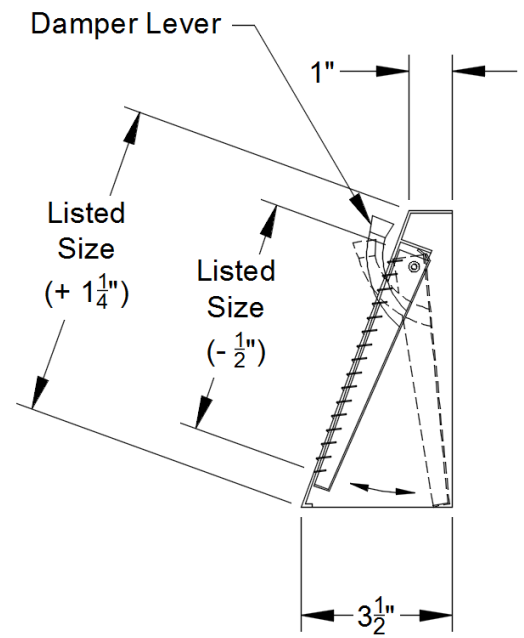
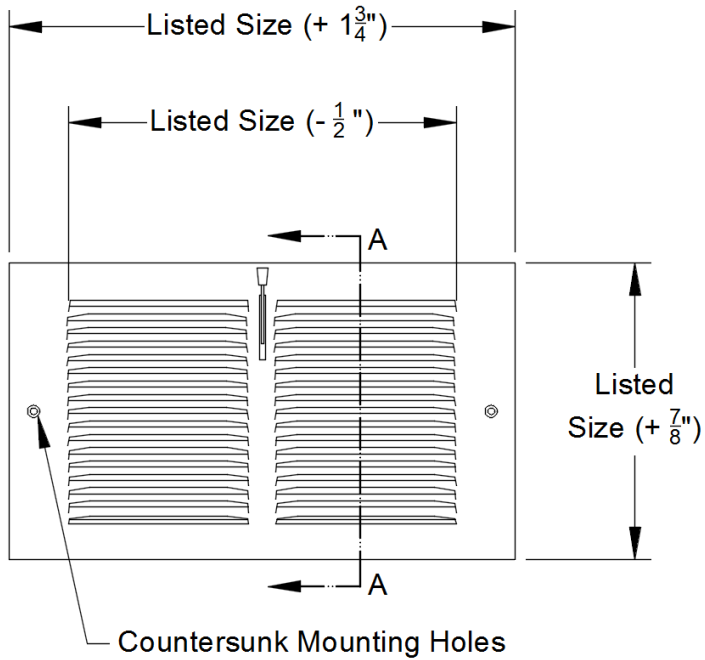
Model: \_\_\_\_\_ Size: \_\_\_\_\_ Tag: \_\_\_\_\_

Project Name: \_\_\_\_\_

Project Location: \_\_\_\_\_

Engineer: \_\_\_\_\_ Contractor: \_\_\_\_\_

Distributor: \_\_\_\_\_ Representative: \_\_\_\_\_



**Section AA**

**Features:**

- Single Blade SmoothGlide™ Damper (Supply Only)
- Pristine White Powder Coat Finish
- #10 x 4" Long Mounting Hardware

**Construction Options:**

- Supply
- Return

Note: This submittal is meant to demonstrate the general dimensions of this product. The illustrations are not meant to detail every aspect of the product. Drawings are not to scale. T.A. Industries, Inc. reserves the right to make changes without notice or obligations.