

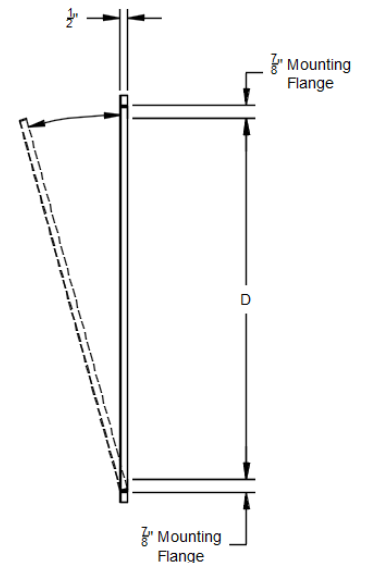
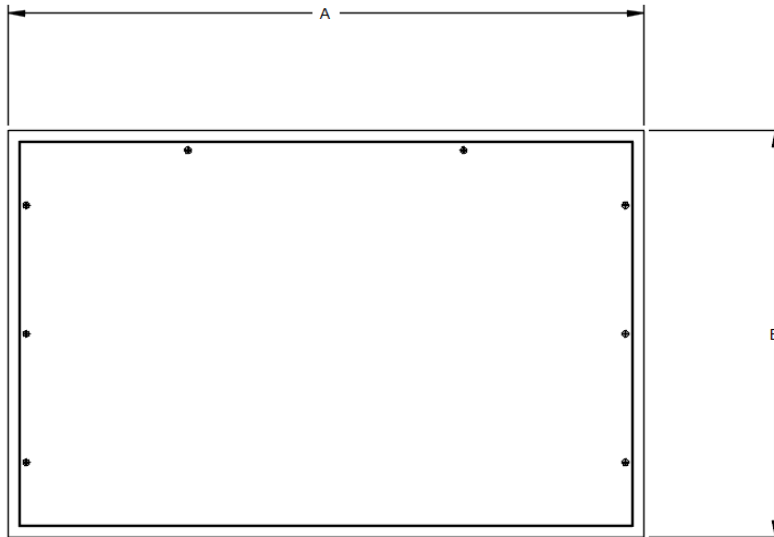
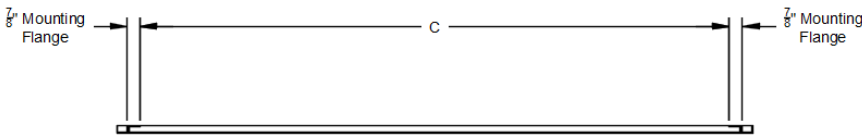
Model: \_\_\_\_\_ Size: \_\_\_\_\_ Tag: \_\_\_\_\_

Project Name: \_\_\_\_\_

Project Location: \_\_\_\_\_

Engineer: \_\_\_\_\_ Contractor: \_\_\_\_\_

Distributor: \_\_\_\_\_ Representative: \_\_\_\_\_



**Features:**

- 20 Gauge Frame and Panel
- #10 x 1 1/2" Long Mounting Hardware
- Pristine White Powder Coat Finish

Model	Dimensions		Rough Opening	
	A	B	C	D
ACP 2844-S	43 1/4"	27 3/4"	40 1/8"	24 5/8"
ACP 2850-S	49 1/4"	27 3/4"	46 1/8"	24 5/8"
ACP 2856-S	55 3/4"	27 3/4"	52 5/8"	24 5/8"
ACP 3348-S	48"	32 1/2"	44 7/8"	29 3/8"
ACP 3360-S	60"	32 1/2"	56 7/8"	29 3/8"

Note: This submittal is meant to demonstrate the general dimensions of this product. The illustrations are not meant to detail every aspect of the product. Drawings are not to scale. T.A. Industries, Inc. reserves the right to make changes without notice or obligations.