

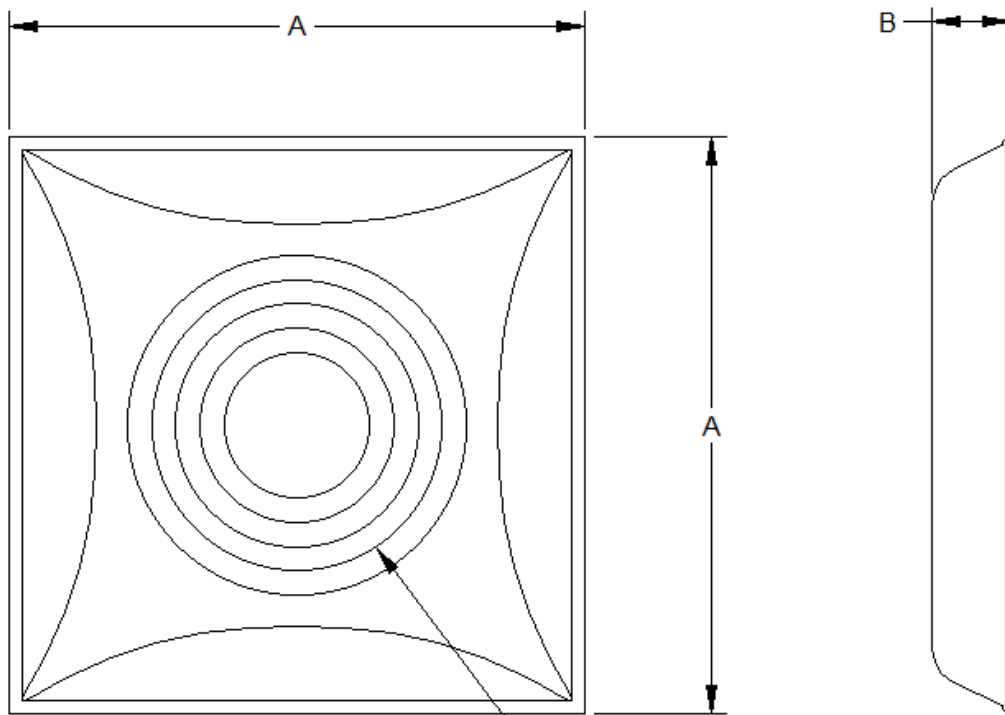
Model: \_\_\_\_\_ Size: \_\_\_\_\_ Tag: \_\_\_\_\_

Project Name: \_\_\_\_\_

Project Location: \_\_\_\_\_

Engineer: \_\_\_\_\_ Contractor: \_\_\_\_\_

Distributor: \_\_\_\_\_ Representative: \_\_\_\_\_



Scored for Even Duct Sizes

**Features:**

- Molded R6 Fiberglass Insulation with Aluminum Foil Vapor Barrier
- Pre-Scored Allows for Field Cutting with No Measuring
- Meets UL723 (ASTM E84) 25/50 Flame/Smoke Spread
- Meets UL 181 Erosion and Impact Test
- Meets UL 181 for Mold Resistant

Model	Dimensions		Scored Duct Diameters
	A	B	
1056FB 12MOLD	11 3/4"	2 5/8"	4", 6" & 8"
1056FB MOLD	23 3/4"	3 3/16"	6", 8", 10", 12" & 14"

Note: This submittal is meant to demonstrate the general dimensions of this product. The illustrations are not meant to detail every aspect of the product. Drawings are not to scale. T.A. Industries, Inc. reserves the right to make changes without notice or obligations.