

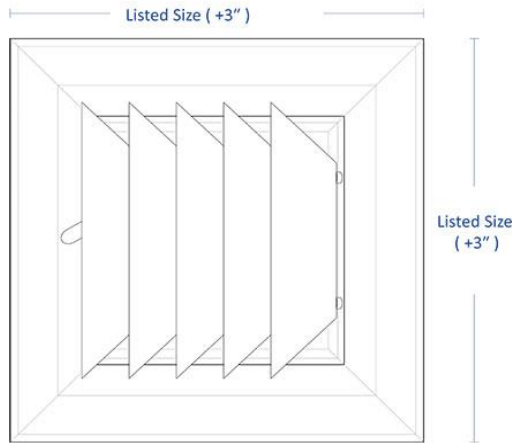
Submitted by: _____

Date: _____

Aluminum Square

Ceiling Diffuser

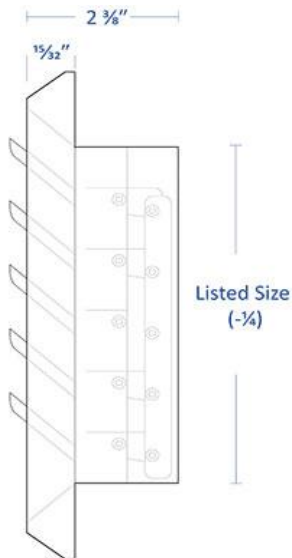
Model:



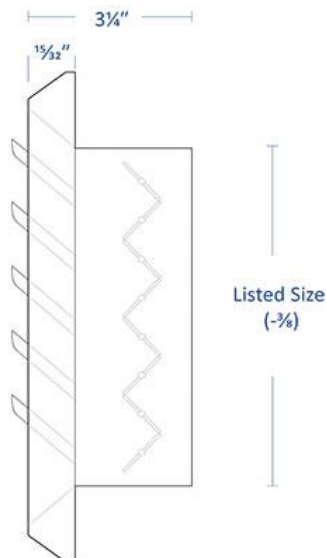
Available Options

- Opposed Blade Damper
- Multi-Shutter Damper

Multi-Shutter Damper



Opposed Blade Damper



Model Features

- 1-way air flow pattern
- Extruded aluminum frame construction

Material: Aluminum

Face: Flush Louvered

Model Size:

Project Name: _____

Architect: _____

Project Location: _____

Engineer: _____

Contractor: _____